

Features

- Two quarter-turn washerless ceramic disc valves.
- Ceramic disc valves exceed industry longevity standards, ensuring durable performance for life.
- High-arch gooseneck swing spout and 360-degree spout rotation offer superior clearance for filling pots and cleaning.
- 10-1/4" (260 mm) gooseneck swing spout reach.
- Two lever handles offer separate control of hot and cold water.
- Coordinates with other products in the HiRise collection.
- 1.8 gpm (gallons per minute) maximum flow rate at 60 psi.

Material

- Stainless-steel construction.
- KOHLER finishes resist corrosion and tarnishing.

Installation

- Wall-mount for 8" (203 mm) centers.



ADA CSA B651

Codes/Standards

ASME A112.18.1/CSA B125.1

NSF 61

NSF 372

All applicable US Federal and State material regulations

DOE - Energy Policy Act 1992

California Energy Commission (CEC)

ADA

ICC/ANSI A117.1

CSA B651

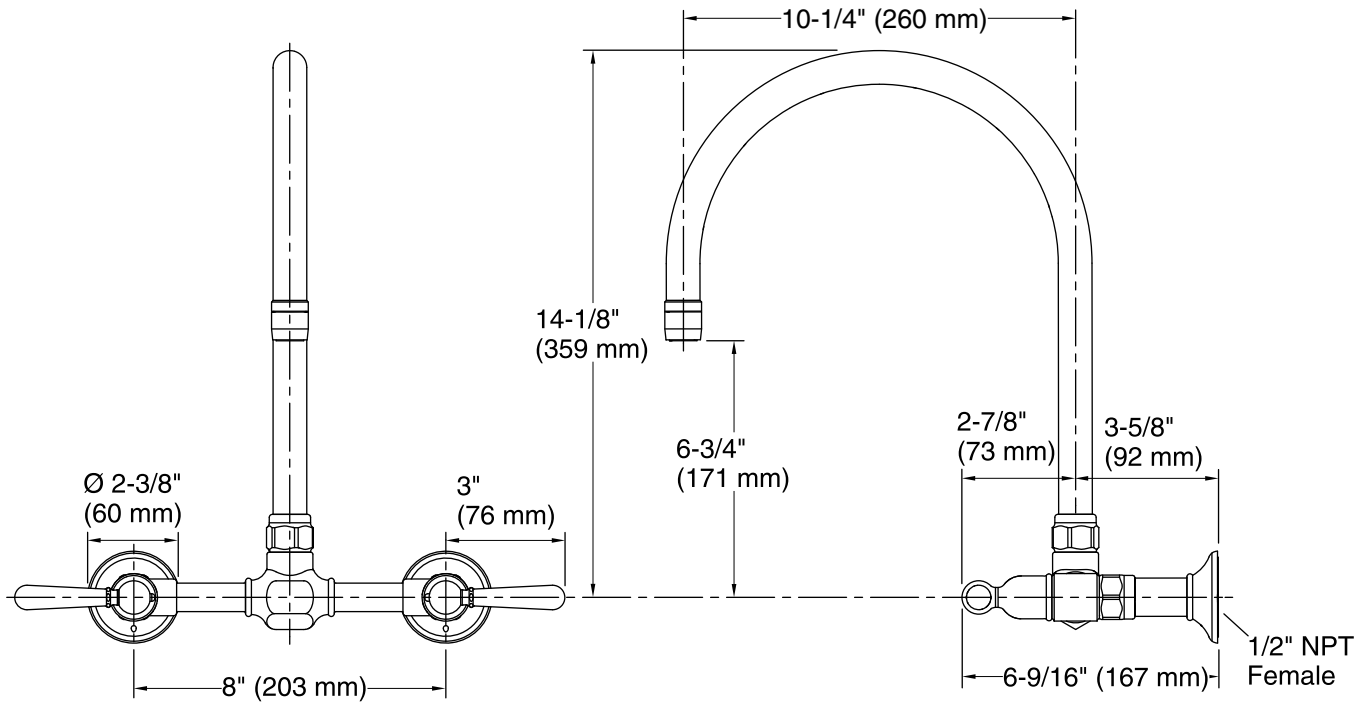
KOHLER® Faucet Lifetime Limited Warranty

See website for detailed warranty information.

Available Color/Finishes

Color tiles intended for reference only.

| Color | Code | Description |
|--|------|--------------------|
|  | S | Polished Stainless |
|  | BS | Brushed Stainless |



Technical Information

All product dimensions are nominal.

Faucet:

Flow rate: 1.8 gal/min (6.8 l/min)

Pressure: 60 psi (4.1 bar)

Notes

Install this product according to the installation guide.

ADA, CSA B651 compliant when installed to the specific requirements of these regulations.