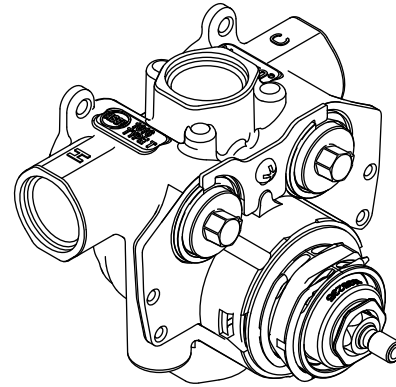


**3/4" THERMOSTATIC MIXER  
K-2975-KS**

**Features**

- Forged brass valve body
- Single-handle temperature control
- High-flow valving
- High-temperature limit setting for added safety
- Temperature-balancing mechanism
- Scald hazard prevention
- Integral stops
- Crossflow prevention
- 3/4" NPT connections
- Filter screens
- Dual outlet (Bath – bottom, shower – top)
- Less volume control



**Codes/Standards Applicable**

Specified model meets or exceeds the following:

- ASSE 1016
- ASME A112.18.1/CSA B125.1

**Colors/Finishes**

- NA: None applicable

**Accessories**

- NA: None applicable

**Specified Model**

Model	Description	Colors/Finishes
K-2975-KS	3/4" thermostatic mixer - less volume control	<input type="checkbox"/> NA
<b>Required Accessories</b>		
K-2974-K	1/2" volume control valve - for use on bath and shower outlets	<input type="checkbox"/> NA
K-2977-K	3/4" volume control valve - for use on bath and shower outlets	<input type="checkbox"/> NA
<b>Optional Accessories</b>		
K-9663	Twin ell - for use with diverter bath spouts only	<input type="checkbox"/> NA

**Product Specification**

The thermostatic mixer less volume control shall have a forged brass valve body. Product shall feature single-handle temperature control, high-flow valving, high-temperature limit stop for added safety, and temperature-balancing mechanism. Product shall feature integral stops, crossflow prevention, filter screens, and scald hazard prevention. Product shall have 3/4" NPT connections. Product shall have two outlets, the bottom one for bath and the top one for shower. The thermostatic mixer shall be Kohler Model K-2975-KS-NA and the required volume control valve shall be K-\_\_\_\_-K-NA.

# MASTERSHOWER®

## Installation Notes

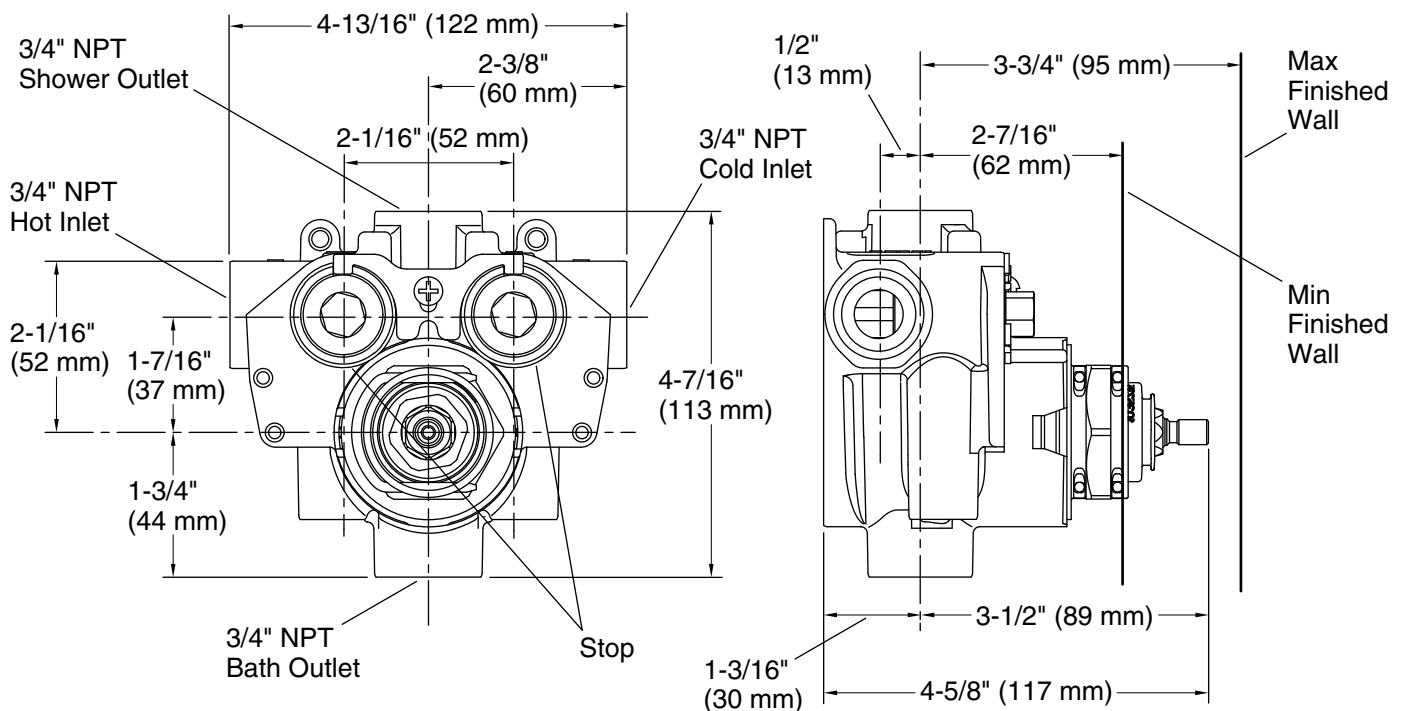
Install this product according to the installation guide.

The K-2975-KS thermostatic mixer valve requires a separate volume control valve, K-2974-K or K-2977-K, for each bath and/or shower outlet.

For bath-only or shower-only installations, an NPT plug must be installed in any unused outlet.

The lower port of the thermostatic mixer is intended for use with a bath spout only. If a bath spout is not used with this product, the lower port must be plugged.

For installations with a diverter spout, a twin ell, K-9663, is required between the valve and the spout. It is acceptable for the supply to the K-9663 twin ell to run from the top or bottom port through the volume control valve if the remaining unused port is plugged.



## Product Diagram